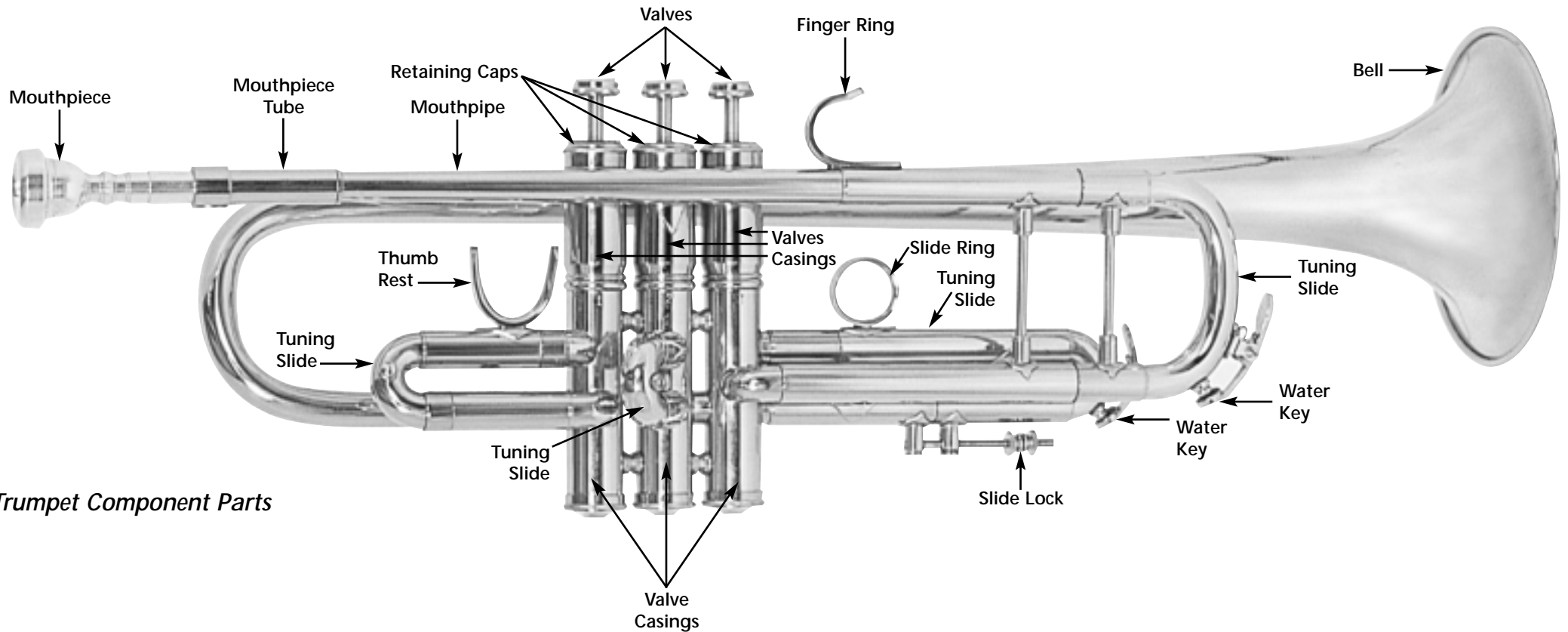




**Thank you for purchasing this Odyssey Trumpet Outfit.  
To enable you to use and enjoy playing this instrument we offer the following advice.  
Please carefully read and follow these guidelines.**



**Trumpet Component Parts**

Odyssey Trumpets are precision made. During the pre-shipment inspection, the valves are oiled and checked for correct operation, and all of the tuning slides are greased and checked for free movement.

To enable the instrument to be played, only the mouthpiece needs to be fitted. Fit the mouthpiece by carefully easing it into the mouthpiece tube until a firm, airtight connection has been achieved.  
**WARNING: DO NOT FORCE OR KNOCK THE MOUTHPIECE INTO THE MOUTHPIECE TUBE.** Doing so will cause damage not covered by your warranty and is likely to require specialist equipment and trained personnel to remove it safely.

With the mouthpiece correctly fitted, the instrument is now ready to play.

Four tuning slides are incorporated in to your Odyssey Trumpet. These enable the fine tuning and intonation of the instrument to be adjusted. For guidance on their use we recommend that you seek advice from your music teacher, instrument teacher, technician or local music store.

Water accumulates within the instrument during playing. To prolong the life and playing action of your instrument this water must be regularly expelled. To do this, angle the bell of the instrument towards the ground, hold open the water keys and blow through the instrument to expel excess water.

Occasionally, water will remain in the instrument, and can be expelled, during routine maintenance, by carefully removing the tuning slides, and draining excess residual moisture.

For your convenience a cleaning cloth, valve oil and shoulder strap are included.

There are many tutor books, videos and CD ROM tutors available from musical instrument or sheet music stores to help you teach yourself to play the Trumpet. We would also recommend you take lessons with a qualified Trumpet teacher.

Have fun and enjoy playing your Odyssey Trumpet.

## MAINTENANCE OF YOUR INSTRUMENT

It is important to disassemble and thoroughly clean the instrument after playing, and especially prior to placing it in its case for storage between playing sessions.

Follow the routine below to ensure that the instrument is kept in peak condition.

- Remove any dirt, perspiration and finger marks from the surface of the instrument by the gentle use of a cleaning cloth (provided).
- The tuning slides should be carefully removed and the inside of the instrument and slides cleaned and dried with an appropriate cleaning brush/cloth. Replace the slides with care in the correct positions.
- The valve pistons, located within the valve casings, should occasionally also be removed, checked and if necessary, cleaned and thoroughly dried. The casings should also be cleaned and the valves re-oiled.
- Valve pistons and casings are NOT interchangeable. Always remove and replace one at a time.
- To remove a valve, unscrew the valve cap at the top of the valve casing. Carefully remove the valve piston, clean and dry with a lint free cloth. Re-oil the valve piston and replace this into the valve casing ensuring that the valve piston guide mates with the detent in the valve casing. To align the valve piston, depress the valve button fully, rotate the valve button clockwise/anti clockwise until the piston clicks into place. Release the valve button and replace the valve cap, screwing it back into position. DO NOT OVER TIGHTEN THE VALVE CAP.
- Regular oiling of the valve pistons is fundamental to the smooth operation, maintenance and playing of the instrument.
- Valve oil (provided) should be applied (sparingly) to each valve in turn. To apply valve oil, follow the procedure for cleaning and maintenance of the valve piston as described above. It is necessary only to expose the barrel of the valve piston and sparingly apply sufficient valve oil to ensure adequate lubrication.
- Valve oil should also be used (sparingly) on the tuning slides and water key(s) hinge.

*Your instrument is a valuable item and should be treated with respect.*

By following the guidelines above your instrument should provide you and your listeners with hours of pleasure.

*If you remain uncertain after reading these guidelines, how to assemble and clean your Odyssey Trumpet, seek advice at your local music store or from a music teacher.*

*Damage caused by incorrect assembly and/or inappropriate handling will not be covered by the warranty. This does not affect your statutory rights.*



**Keep your instrument and tone in tip-top condition!**  
*Ask your stockist for Odyssey cleaning/maintenance kits.*

Odyssey Instruments are exclusively distributed throughout the world by

**JOHN HORNBY SKEWES & CO. LTD.**

Salem House, Parkinson Approach, Garforth, Leeds LS25 2HR.

[www.jhs.co.uk](http://www.jhs.co.uk)

© 2002 JHS & Co. Ltd.



# Trumpet Outfit

## Components & Maintenance Instructions